

AGP-4300

ExpressParc®

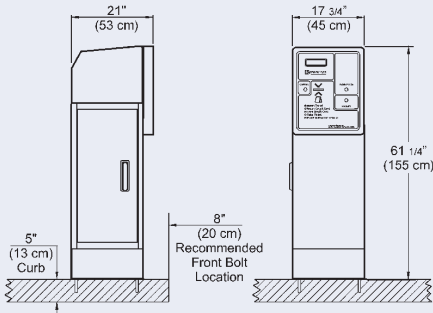
***Credit Card Only
Central Pay Station***



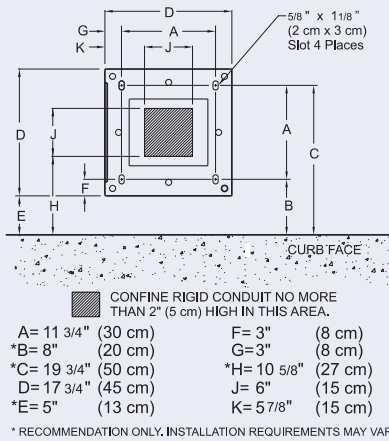
The AGP-4300 Series ExpressParc Credit Card Only Central Pay Station is typically located at a central location within the parking facility. The system accepts entry tickets, expired exit tickets, validated tickets, and mag-stripe validation coupons, calculates the parking fee, accepts and processes the credit card, prints and issues a receipt on request, and issues a paid exit ticket.

Central Credit Card Only Pay Station

AGP-4300



BOLT LAYOUT



FEATURES

- Greater throughput at exit—reduces traffic congestion in exit lanes** ◀
- Secure unit—cash is neither collected nor dispensed** ◀
- Large selection of financial processors supported** ◀
- ADA compliant** ◀
- Uses common hardware components (RWPV-based), fewer inventoried parts, reduced service training** ◀
- Tamper-free operation** ◀
- Easy payment procedure for customers** ◀
- Allows easy analysis of activity & revenue** ◀

SPECIFICATIONS:

HOUSING

Construction:	Heavy duty 12 gauge steel construction, polyethylene cover over top mechanism, weather gasketed, lockable door
Dimensions:	61-1/4"h x 17-3/4"w x 21"d (155 cm x 45 cm x 53 cm)
Ticket throat height:	50-1/4" (128 cm)
Weight:	135 lbs. (61 kg)
Finish:	Standard yellow (RAL #1028) or white (RAL #9010) powder coat finish

ELECTRICAL

Power source:	120 - 220VAC, 50/60Hz
Power consumption:	Maximum 10 amps
Power reserve:	The clock and program data are protected for 4 years by the Lithium battery
Drying lamp:	120 VAC, 60W shock resistant lamp

ENVIRONMENT

Temperature:	-20°F ~ 120°F (-29°C ~ 49°C)
Humidity:	10% to 95% (non-condensing).
Heater:	Automatic Thermostat Controlled

TIME CONTROL

Real time clock synchronization with host computer
Quartz oscillated clock accurate within ± 3 seconds per week at 68°F to 86°F (20°C to 30°C).
Built-in crystal controlled perpetual calendar
Programmable Daylight Saving Time adjustment

TICKET SPECIFICATIONS

Credit card size:	2 1/8" (5.41 cm) wide x 3 3/8" (8.59 cm) long
Thickness:	(0.007") 0.188 mm
Magnetic stripe:	1/4" (6 mm) wide x 3 3/8" (86 mm) long

COMMUNICATIONS

Interfaces with on-line credit card host for rate programming, fee calculation, credit card processing, and journal logging.

OTHER FEATURES

Automatic dual ticket feed (total 10,000 fanfold tickets); ticket retraction, 9 x 7 electronic dot matrix printer; cartridge ribbon; self-sharpening ticket cutter. Built-in intercom (Aiphone compatible). Internal Memory Modules buffers minimum 999 transaction or error messages.

Ticket vault holds 1000 retracted and voided tickets. Graphic LCD display with programmable backlight. Built-in diagnostics test components, temperature, memory, ticket and communications.

Manufactured by Amano Cincinnati, Inc.'s Ohio factory, an ISO 9001:2000 registered facility.

Specifications are approximate and are subject to change without notice.

REPRESENTED BY:

VICTOR LIBERATOR TIME SYSTEMS, INC.
 40 Gardenville Parkway, Buffalo NY 14224
 Phone: (716) 656-5700 Fax: (716) 656-2099
 Website: www.liberatortime.com

AMANO McGANN

Corporate Headquarters 651 Taft Street NE, Minneapolis, MN 55413
 Tel: (612) 331-2020 www.amanomcgann.com